



MOUNTING NUTS

Stud Nut

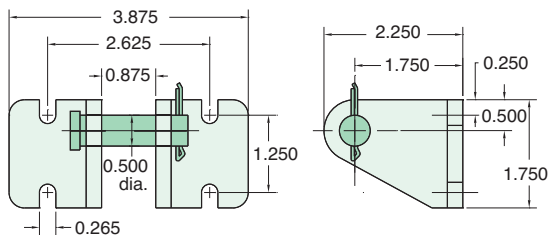
Part Number	Across Flats	Nut Thickness	Nut (Thread)
<u>N24-12</u>	2 1/4"	1/2"	1 1/2-12

Rod Nut

Part Number	Across Flats	Nut Thickness	Nut (Thread)
<u>N10-18</u>	15/16"	3/8"	5/8-18

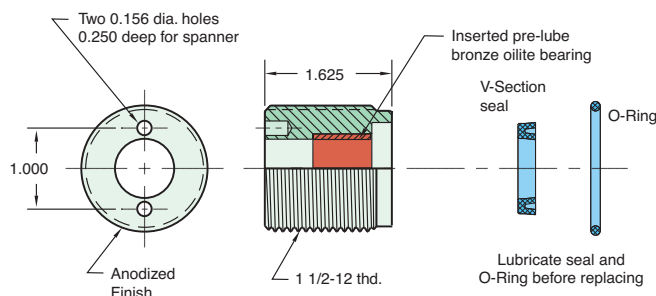
CB-4895

Clevis Bracket
Material: Steel, bright zinc plated



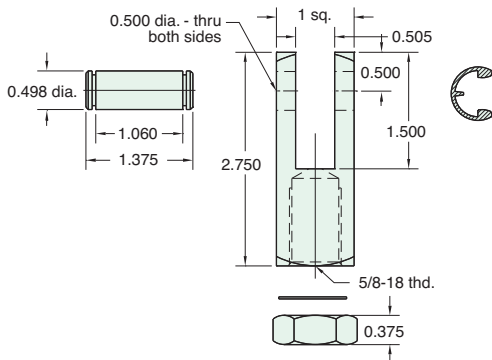
RK-4899

Replaceable Rod Seal
Material: aluminum body



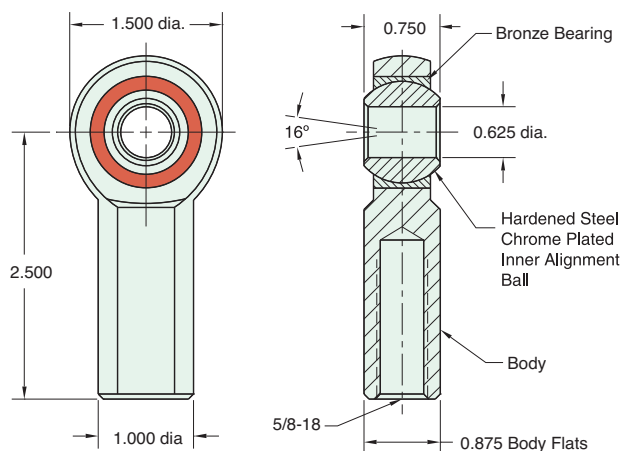
RC-4881

Rod Clevis
Material: Steel, electroless nickel plate



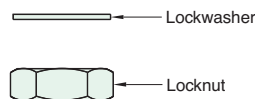
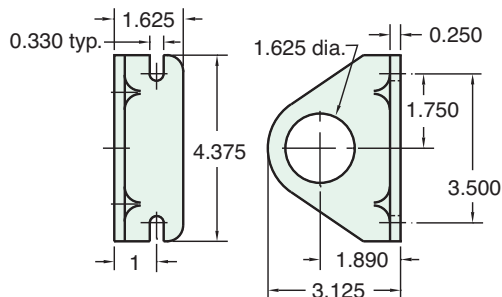
RE-4885

Rod End
Material: Steel, bright zinc plated body



FB-4891

Foot Bracket
Material: Steel, bright zinc plated



Max. Static Radial Load (rod end only): 7,400 lbs.
Fits Rod Thread Size: 5/8-18